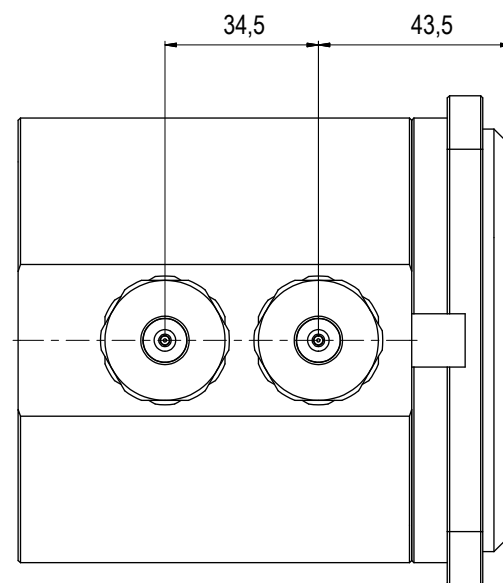
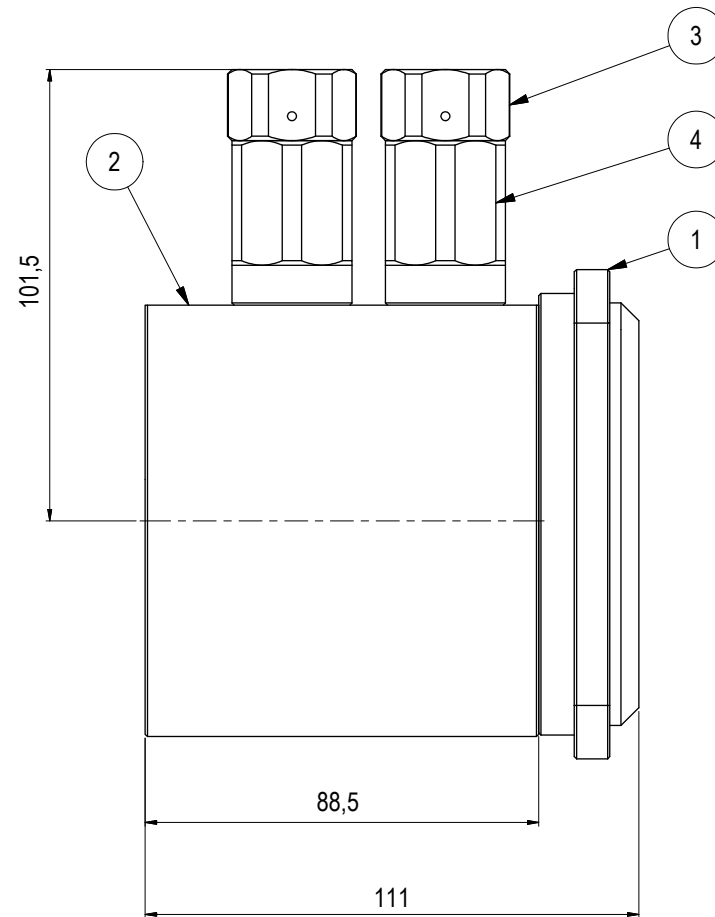
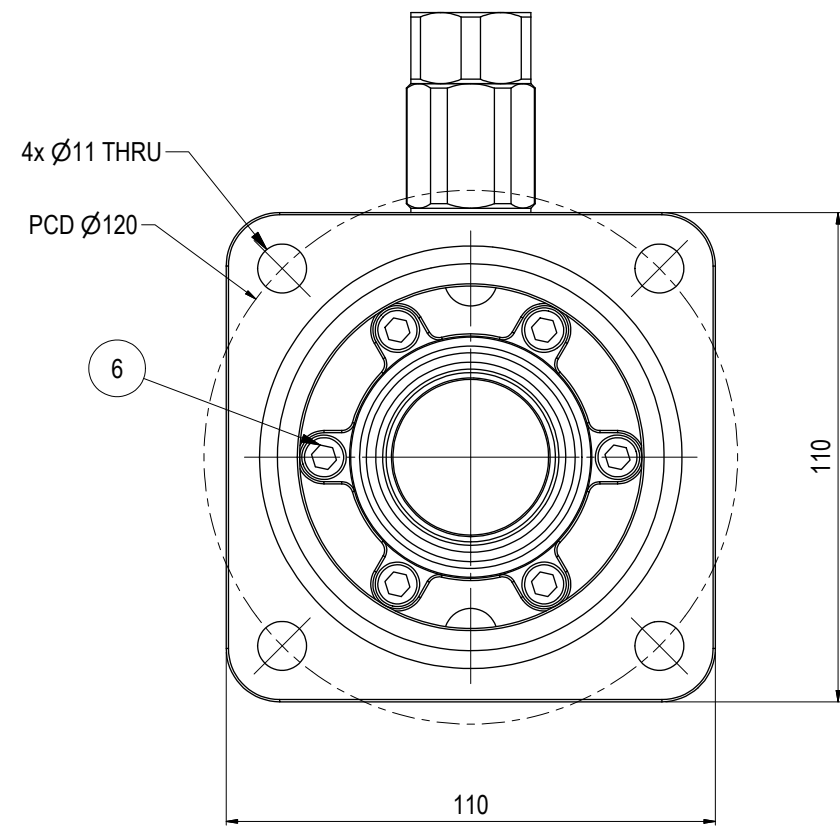


Parts List			
ITEM	QTY	PART No.	TITLE
1	1	PA0441	Adapter Plate with Lock Interface Ø35mm 20k
2	1	PA0429	Ø35 DP Rec 20k Interv BSP 3/8"
3	2	PA0354	Adapter -Autoclave
4	2	PA0219	2-Way Check Valve 20k Interv BSP 3/8" 120 Cone



NOTE: 1
DESIGN CODE:
API 17H/6A

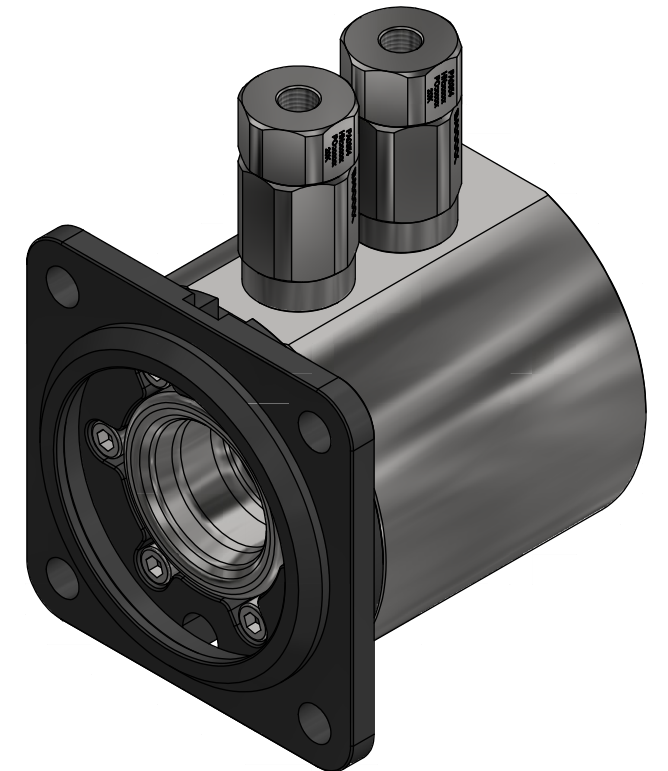
NOTE: 2
TECHNICAL CLASSIFICATION:
Article Type: 001-Hot Stabs
Main Group: 1.01. Ø35 Hot Stab
Intermediate Group: 1.1.02. Receptacle
Sub Group: 1.1.2.02. Dual

NOTE: 3
INTERFACE INFORMATION:
Pressure Rating Bar: 1380
Design Water Depth: N/A
Material: Intervention
Weight: 6,2 kg
Volume: 0,78 dm³
Submerged Weight: 5,35 kg
Surface Area: 1253 cm²
Hydraulic: MP 1/4"
Mechanical: 6xM6@PCD 66
Electrical: N/A
Com. & Protocol: N/A

NOTE: 4
SPAREPARTS:
BA5287

NOTE: 5
ADDITIONAL INFORMATION:
The Ø35mm Blue Logic Hot Stab is made according to API 17H. This Hot Stab is in general designed for flow up to approx 25 liters pr. minute. We have pressure rating up to PSI 20K or 1380 Bar. The Hot Stab system can also be fitted with an lock-system.

Other hydraulic port interface can be delivered on customers request.



09	5.3.2026	9-IFU (Issued for Use)		WTJ	HNJ	WTJ
08	18.10.2018	9-IFU (Issued for Use)		HNJ	WTJ	HNJ
07	10.6.2015	9-IFU (Issued for Use)		WTJ	HNJ	WTJ
06	13.4.2015	9-IFU (Issued for Use)		WTJ	HNJ	WTJ
Rev.	Date	Reason for issue	Revision change	Made	Chk'd	Appr.



Dwg Scale:
NTS
Dwg Proj:
Dwg Format:
A3

Drawing title:
Ø35 DP Rec 20k Interv wCV WL MP 1/4"

Drawing number:
PA0214

Rev:
09